

Hand Gesture Calling Landing System

Technical Specification



Applicable Scene

Can be installed in the lifts already existed or be installed in the new lifts. It is compatible for any branch elevator. It is suitable for commercial elevator and home elevator.

Functions

- 1, Incorporate the elevator call button without destroying the original elevator functions and circuits.
- 2, Reach out and shake your hands to call the elevator without touching the elevator buttons. It can help you to enjoy the elevator experience. Also it can help to avoid contact with bacteria or viruses on the buttons to protect the health of passengers.

Operation Method

- 1, Place your hand 5 to 15cm from the front of the “Hand Gesture Calling Landing System” device and swing upwards to trigger the “Up” button.
- 2, Place your hand 5 to 15cm from the front of the “Hand Gesture Calling Landing System” device and swing downwards to trigger the “Down” button.
- 3, It is available even wearing the gloves.

Product Photo



Product Parameters

- 1, Sensing Method: infrared motion sensing of human hand.
- 2, Sensing Objects: human hands, gloves
- 3, Gesture Effective Range: distance from 5 to 15cm; angle: ± 30 degree horizontally forward of the center of the device
- 4, Power Voltage: input rated DC12-24V/
- 5, Device Consumption: Maximum 1 W.
- 6, Relay Pull-in time: 2 seconds
- 7, Available Time Interval between up calling and down calling: 1 second
- 8, Working Environment Temperature: $-20^{\circ}\text{C} \sim 60^{\circ}\text{C}$.
- 9, Storage Temperature: $-20^{\circ}\text{C} \sim 70^{\circ}\text{C}$.

Interface introduction

Power Interface

Model No. of Interface	PH-2.0-2P		
PIN	Definition	Color of the Cable	Length of the Cable
PIN 1	DC Power 12~24V	Red	500mm
PIN 2	GND	Black	500mm

Button Cable Interface

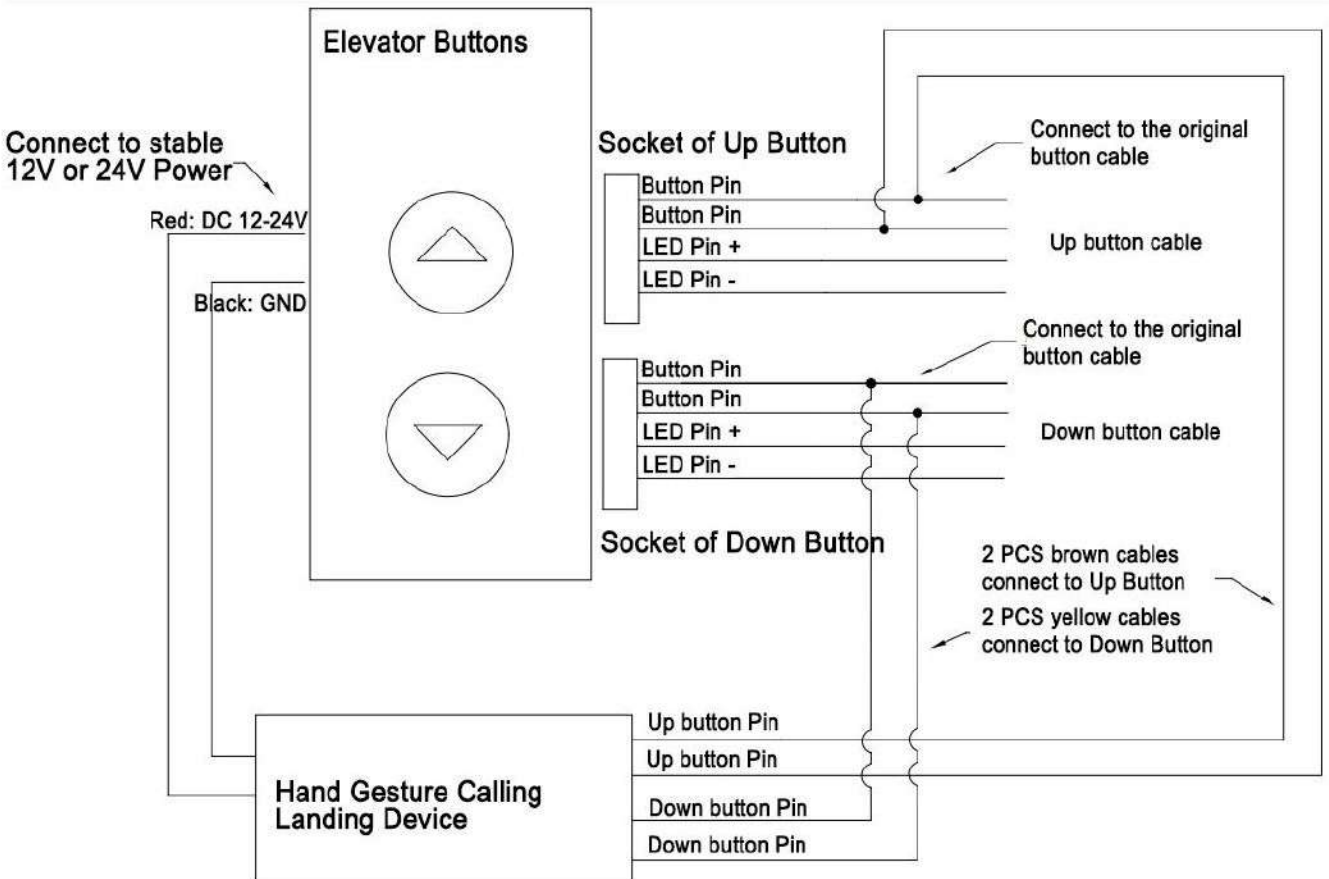
Model No. of Interface	PH-2.0-4P		
PIN	Definition	Color of the Cable	Length of the Cable
PIN 1 :	UP1: Connect to Up Button Cable	Brown	500mm
PIN 2 :	UP2: Connect to Up Button Cable	Brown	500mm

PIN 3 :	DN1: Connect to Down Button Cable	Yellow	500mm
PIN 4 :	DN2: Connect to Down Button Cable	Yellow	500mm

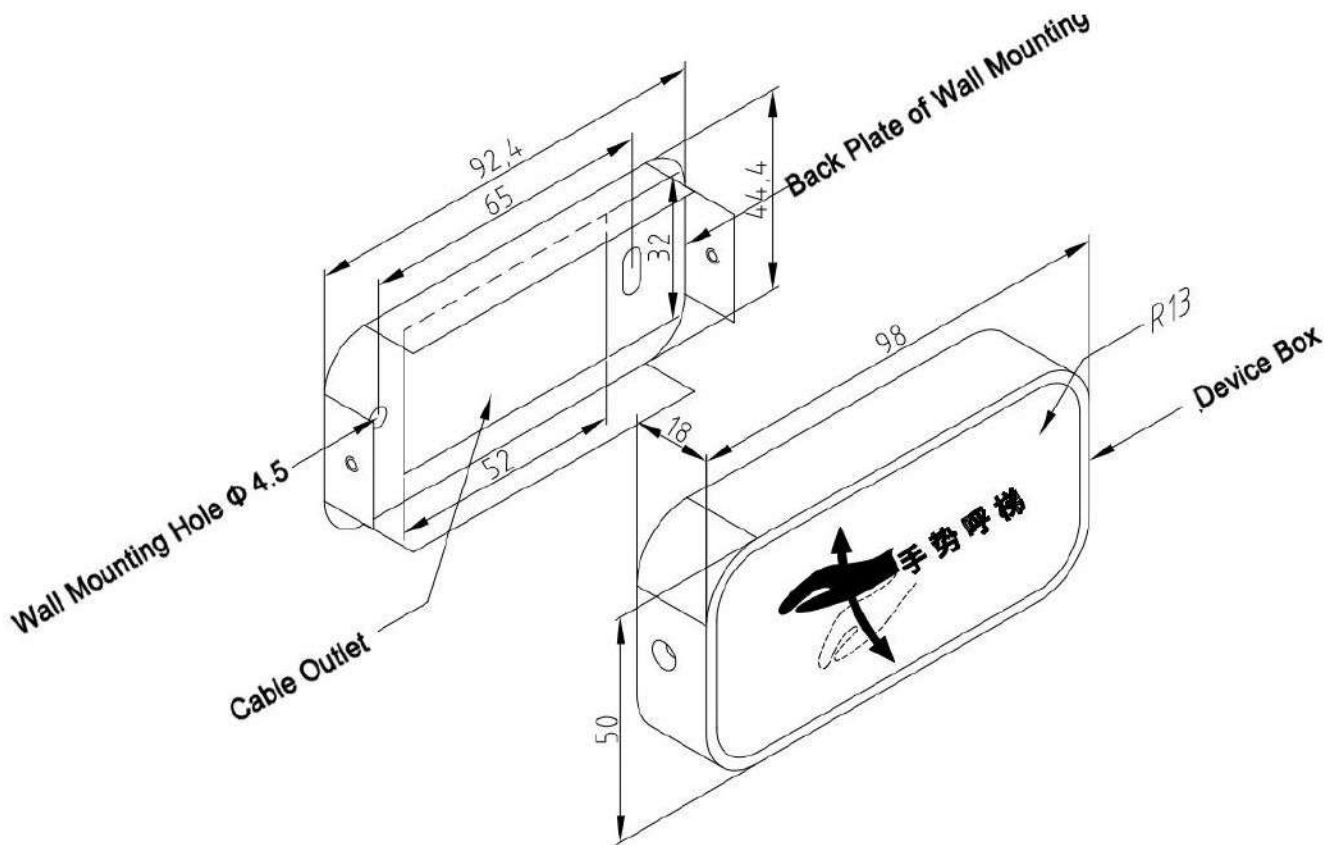
Remark:

- 1, The “Hand Gesture Calling Landing System” which is installed on the top floor connect to “DN1, DN2” down button cable only.
- 2, The “Hand Gesture Calling Landing System” which is installed on the top floor connect to “DN1, DN2” down button cable only.

Wiring of Hand Gesture Calling Landing System



External Dimension Drawing



Abu Dhabi

Ground Floor, Al Dana Building, Tourist Club Area, Al Fardoos Street, P.O. Box 2984, Abu Dhabi, UAE.

Email: infoauh@epm.ae

Phone: +971 2 615 4777

Fax: +971 2 644 1181



Dubai

Office No. 208, RAK Building, Al Nahda Road, Al Qusais 2, P.O. Box 31994, Dubai, UAE.

Email: marketing@epm.ae

Phone: +971 4 607 8777

Fax: +971 4 259 2809

