

SWING GATES

GATE-GS

Gate-GS is automatic swing gate opener with a glass type of flag. Along with standard dimensions, width and height of a glass swing flag can be enlarged.



ELEGANCE, LIGHTNESS AND SIMPLICITY MAKE THE SERVO-TYPE SWING GATE INDISPENSABLE AS A PART OF ACCESS CONTROL SYSTEM

 **650/900**
mm
PASSAGE WIDTH

 **IP 41-65***
PROTECTIVE LEVEL

 **PASSAGE FOR DISABLED**

 **MOTORIZED**

 **BI-DIRECTIONAL**

Advantages

- Solution for disabled and trolley access
- Appropriate addition to other TiSO turnstiles (waist-height and full-height)
- Steadfast housing suitable for high traffic areas
- Can be integrated with any type of access control systems
- Low power consumption
- Left hand, right hand and double-sided opening are available
- Low noise system operation
- Gate housing could be adapted for both indoor and outdoor installations
- Can be mounted on a mobile platform (TiSO Frame-M)
- Fail safe

Standard

- Wired remote control panel

Options

- Connection to additional external stand with integrated passes counter/RFID device/coin acceptor push button/fingerprint/barcode/QR-code reader etc.)
- Radio controller
- Heating function for external installation
- Automatic opening when power goes off
- Passage width may vary upon client's request

* first figure is standard, all other available upon request.



www.tiso.global
+380 (44) 291-21-11
e-mail: sales@tiso.global



Technical Specifications:

Passage width, mm	650/900
Unit width, mm	815/1065
Unit diameter, mm	225
Unit height (with glass), mm	1000
Unit weight, kg (not more)	45/48
Mechanism	Motorized

Controlled by:



access control system;



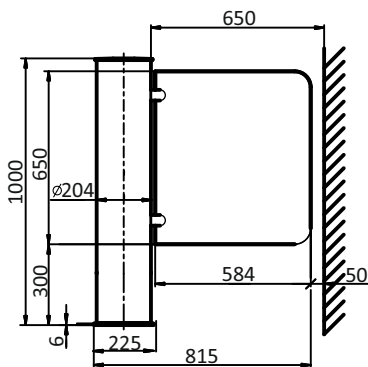
manual control

When power goes OFF both directions are free.

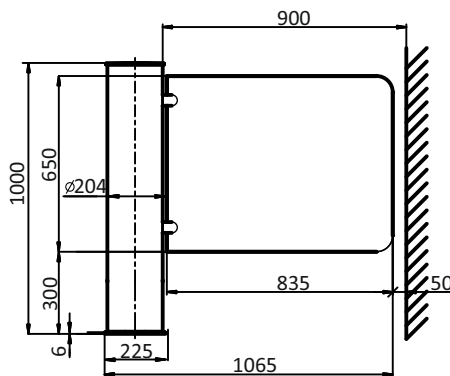
Electrical Specifications:

- Voltage:
 - from the AC (100-240)V, 50/60Hz;
 - from a DC source 12 V;
- Maximum power consumption 55W per pass;

GATE-GS 650



GATE-GS 900
for disabled and trolley access



Materials

Standard housing	Brushed SS AISI 304
Available housing	Brushed SS AISI 316 Polished SS AISI 304 Polished SS AISI 316 Powder coated RAL

Installation areas:

- Governmental Institutions
- Military Bases
- Nuclear Power Plants
- Production sites (Industrial Plants)
- Commercial areas
- Financial institutions
- Airport Premises
- Business (Office) Centers
- Hotels
- Sport Complexes
- Recreation areas
- Urban areas
- Education Institutions
- others

* other heights available optionally

